

INTERNATIONAL STANDARD

ISO 4032

Fourth edition
2012-12-15

Hexagon regular nuts (style 1) — Product grades A and B

Écrous hexagonaux normaux (style 1) — Grades A et B



Reference number
ISO 4032:2012(E)

© ISO 2012



COPYRIGHT PROTECTED DOCUMENT

© ISO 2012

All rights reserved. Unless otherwise specified, no part of this publication may be reproduced or utilized in any form or by any means, electronic or mechanical, including photocopying and microfilm, without permission in writing from either ISO at the address below or ISO's member body in the country of the requester.

ISO copyright office
Case postale 56 • CH-1211 Geneva 20
Tel. + 41 22 749 01 11
Fax + 41 22 749 09 47
E-mail copyright@iso.org
Web www.iso.org

Published in Switzerland

Contents

Page

Foreword	iv
Introduction	v
1 Scope	1
2 Normative references	1
3 Dimensions	2
4 Requirements and reference International Standards	4
5 Designation	4
Bibliography	5

ISO 4032:2012(E)**Foreword**

ISO (the International Organization for Standardization) is a worldwide federation of national standards bodies (ISO member bodies). The work of preparing International Standards is normally carried out through ISO technical committees. Each member body interested in a subject for which a technical committee has been established has the right to be represented on that committee. International organizations, governmental and non-governmental, in liaison with ISO, also take part in the work. ISO collaborates closely with the International Electrotechnical Commission (IEC) on all matters of electrotechnical standardization.

International Standards are drafted in accordance with the rules given in the ISO/IEC Directives, Part 2.

The main task of technical committees is to prepare International Standards. Draft International Standards adopted by the technical committees are circulated to the member bodies for voting. Publication as an International Standard requires approval by at least 75 % of the member bodies casting a vote.

Attention is drawn to the possibility that some of the elements of this document may be the subject of patent rights. ISO shall not be held responsible for identifying any or all such patent rights.

ISO 4032 was prepared by Technical Committee ISO/TC 2, *Fasteners*, Subcommittee SC 12, *Fasteners with metric internal thread*.

This fourth edition cancels and replaces the third edition (ISO 4032:1999, corrected and reprinted 2001), of which it constitutes a minor revision.

Introduction

This International Standard belongs to a complete group of product standards developed by ISO on external hexagon drive fasteners. It comprises the following:

- a) hexagon head bolts (ISO 4014, ISO 4015, ISO 4016 and ISO 8765);
- b) hexagon head screws (ISO 4017, ISO 4018 and ISO 8676);
- c) hexagon nuts (ISO 4032, ISO 4033, ISO 4034, ISO 4035, ISO 4036, ISO 7040, ISO 7041, ISO 7042, ISO 7719, ISO 7720, ISO 8673, ISO 8674, ISO 8675, ISO 10511, ISO 10512 and ISO 10513);
- d) hexagon bolts with flange (ISO 4162, ISO 15071 and ISO 15072);
- e) hexagon nuts with flange (ISO 4161, ISO 7043, ISO 7044, ISO 10663, ISO 12125, ISO 12126 and ISO 21670).

Hexagon regular nuts (style 1) — Product grades A and B

1 Scope

This International Standard specifies the characteristics of hexagon regular nuts (style 1), with threads from M1,6 up to and including M64, with product grade A for threads $D \leq M16$ and product grade B for threads $D > M16$.

If, in special cases, specifications other than those listed in this International Standard are required, they can be selected from existing International Standards, for example ISO 724, ISO 898-2, ISO 965-1, ISO 3506-2 and ISO 4759-1.

NOTE For hexagon high nuts (style 2), see ISO 4033.

2 Normative references

The following documents, in whole or in part, are normatively referenced in this document and are indispensable to its application. For undated references, the latest edition of the referenced document (including any amendments) applies.

ISO 225, *Fasteners — Bolts, screws, studs and nuts — Symbols and descriptions of dimensions*

ISO 724, *ISO general-purpose metric screw threads — Basic dimensions*

ISO 898-2, *Mechanical properties of fasteners made of carbon steel and alloy steel — Part 2: Nuts with specified property classes — Coarse thread and fine pitch thread*

ISO 965-1, *ISO general-purpose metric screw threads — Tolerances — Part 1: Principles and basic data*

ISO 3269, *Fasteners — Acceptance inspection*

ISO 3506-2, *Mechanical properties of corrosion-resistant stainless steel fasteners — Part 2: Nuts*

ISO 4042, *Fasteners — Electroplated coatings*

ISO 4759-1, *Tolerances for fasteners — Part 1: Bolts, screws, studs and nuts — Product grades A, B and C*

ISO 6157-2, *Fasteners — Surface discontinuities — Part 2: Nuts*

ISO 8839, *Mechanical properties of fasteners — Bolts, screws, studs and nuts made of non-ferrous metals*

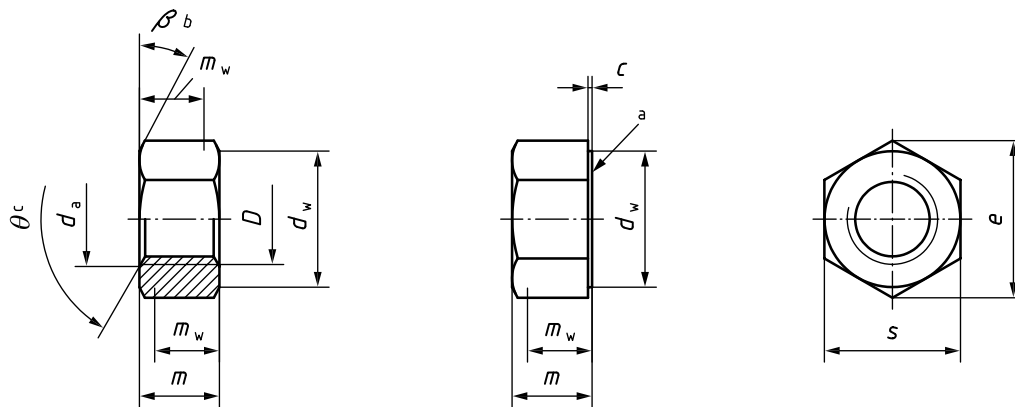
ISO 8992, *Fasteners — General requirements for bolts, screws, studs and nuts*

ISO 10683, *Fasteners — Non-electrolytically applied zinc flake coatings*

ISO 10684, *Fasteners — Hot dip galvanized coatings*

3 Dimensions

See Figure 1 and Tables 1 and 2. Symbols and descriptions of dimensions are specified in ISO 225.



a Unless otherwise specified at the time of order, the nuts are delivered without washer-face.

b $\beta = 15^\circ$ to 30° .

c $\theta = 90^\circ$ to 120° .

Figure 1

Table 1 — Preferred threads

Dimensions in millimetres

Thread <i>D</i>		M1,6	M2	M2,5	M3	M4	M5	M6	M8	M10	M12
<i>pa</i>		0,35	0,4	0,45	0,5	0,7	0,8	1	1,25	1,5	1,75
<i>c</i>	max.	0,20	0,20	0,30	0,40	0,40	0,50	0,50	0,60	0,60	0,60
	min.	0,10	0,10	0,10	0,15	0,15	0,15	0,15	0,15	0,15	0,15
<i>d_a</i>	max.	1,84	2,30	2,90	3,45	4,60	5,75	6,75	8,75	10,80	13,00
	min.	1,60	2,00	2,50	3,00	4,00	5,00	6,00	8,00	10,00	12,00
<i>d_w</i>	min.	2,40	3,10	4,10	4,60	5,90	6,90	8,90	11,60	14,60	16,60
<i>e</i>	min.	3,41	4,32	5,45	6,01	7,66	8,79	11,05	14,38	17,77	20,03
<i>m</i>	max.	1,30	1,60	2,00	2,40	3,20	4,70	5,20	6,80	8,40	10,80
	min.	1,05	1,35	1,75	2,15	2,90	4,40	4,90	6,44	8,04	10,37
<i>m_w</i>	min.	0,80	1,10	1,40	1,70	2,30	3,50	3,90	5,20	6,40	8,30
<i>s</i>	nom. = max.	3,20	4,00	5,00	5,50	7,00	8,00	10,0	13,00	16,00	18,00
	min.	3,02	3,82	4,82	5,32	6,78	7,78	9,78	12,73	15,73	17,73