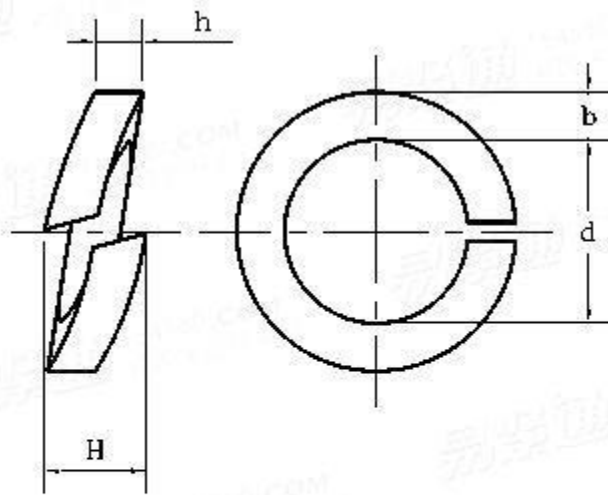


3 /T 93-1976 Single coil spring lock washers,Normal ty



Unit: mm

Nom	d		$h \approx b$			H		Weight per 1000 steel products \approx kg
	min	max	公称	min	max	min	max	
2	2.1	2.3	0.6	0.52	0.68	1.2	1.5	0.023
2.5	2.6	2.8	0.8	0.7	0.9	1.6	2.1	0.053
3	3.1	3.3	1	0.9	1.1	2	2.6	0.097
4	4.1	4.4	1.2	1.1	1.3	2.4	3	0.182
5	5.1	5.4	1.6	1.5	1.7	3.2	4	0.406
6	6.2	6.7	2	1.9	2.1	4	5	0.745
8	8.2	8.7	2.5	2.35	2.65	5	6.5	1.53
10	10.2	10.7	3	2.85	3.15	6	8	2.82
12	12.3	12.8	3.5	3.3	3.7	7	9	4.63
14	14.3	14.9	4	3.8	4.2	8	10.5	6.85
16	16.3	16.9	4	3.8	4.2	8	10.8	7.75
18	18.3	19.1	4.5	4.3	4.7	9	11.5	11
20	20.5	21.3	5	4.8	5.2	10	13	15.2
22	22.5	23.3	5	4.8	5.2	10	13	16.5
24	24.5	25.5	6	5.8	6.2	12	15	26.2
27	27.5	28.5	6	5.8	6.2	12	15	28.2
30	30.5	31.5	6.5	6.2	6.8	13	17	37.6
36	36.6	37.8	7	6.7	7.3	14	18	51.8
42	42.6	43.8	8	7.7	8.3	16	21	78.7
48	49	50.2	9	8.7	9.3	18	23	114