



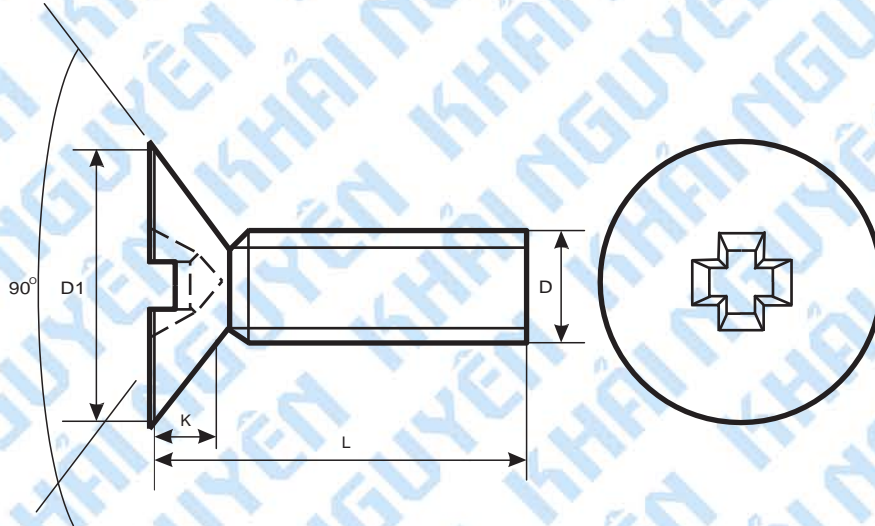
**KHAI NGUYEN**

KẾT NỐI VỮNG BỀN

**DIN 965**

**CROSS RECESSED**

**FLAT HEAD SCREW (FULLY THREADED)**



D	2	2.5	3	4	5	6	8	10
D1	3.8	4.7	5.6	7.5	9.2	11	14.5	18
K	1.2	1.5	1.65	2.2	2.5	3	4	5
L mm	Weights in kg per 1000 pieces							
6		0.27	0.38	0.75	1.21			
8		0.33	0.47	0.91	1.45	2.19		
10		0.39	0.56	1.06	1.70	2.54	5.03	
12		0.45	0.64	1.22	1.95	2.89	5.67	9.59
16		0.57	0.82	1.53	2.44	3.60	6.94	11.6
20		0.69	1.00	1.84	2.94	4.31	8.21	13.6
25		0.84	1.22	2.22	3.55	5.19	9.79	16.1
30			1.44	2.6	4.16	6.08	11.4	18.6
35				3.00	4.65	6.96	13.0	21.1
40				3.38	5.40	7.84	4.6	23.6
45					6.02	8.73	16.2	26.1
50					6.65	9.61	17.8	28.6