

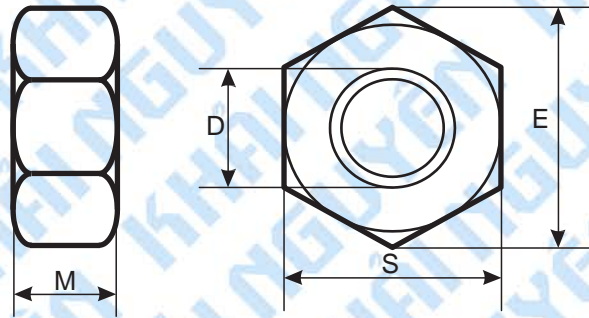


KHAI NGUYEN

KẾT NỐI VỮNG BỀN

DIN 934

HEXAGON NUT THICKNESS 0.8 D



D	S	E	M	WEIGHT IN KG PER 1000 PIECES	PACK	
2	4	4.38	1.6	0.14	500	
2.5	5	5.51	2	0.28		
3	5.5	6.08	2.4	0.38		
4	7	7.74	3.2	0.81		
5	8	8.87	4	1.23		
6	10	11.05	5	.50		
7	11	12.12	5.5	3.12		
8	13	14.38	.5	5.20	200	
10	17	18.90	8	11.6		
12	19	21.10	10	17.3		
14	22	24.49	11	25.0		
16	24	28.75	13	33.8	50	
18	27	30.14	15	49.4		
20	30	33.53	16	64.4		
2	32	35.72	18	79.0		
24	36	39.98	19	110		25
27	41	45.63	22	165		
30	46	51.28	24	223		
33	50	55.80	26	288		
36	55	61.31	29	393		
39	60	66.96	31	502		
42	65	72.61	34	652		
45	70	78.26	36	800		
48	75	83.91	38	977		
52	80	89.56	42	1220		
56	85	95.07	45	1420		
60	90	99.21	48	1690		
64	95	104.86	51	1980		
68	100	10.51	54	300		
72*6	105	116.16	58	2670		
76*6	110	121.81	61	3040		
80*6	115	127.46	64	3440		
85*6	120	133.11	68	3930		
90*6	130	144.08	72	4930		
100*6	145	161.02	80	6820		
110*6	155	172.32	88	8200		
125*6	180	200.57	100	13000		
140*6	200	220.80	112	17500		
160*6	230	254.70	128	26500		

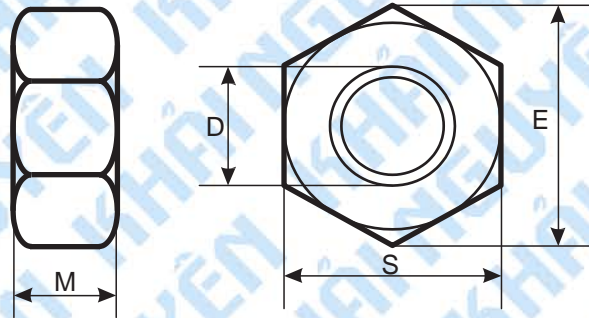


KHAI NGUYEN

KẾT NỐI VỮNG BỀN

DIN 934 - WHITWORTH

HEXAGON NUT



D	S	E	M	WEIGHT IN KG PER 1000 PIECES	PACK
1/8	6	6.92	2.4	0.38	500
5/32	7	8.07	3.2	0.81	
3/16	9	10.4	4	1.23	
1/4	11	12.7	5.5	3.00	
5/16	14	16.2	6.5	.80	200
3/8	17	19.6	8	10.8	
7/16	19	21.9	9.5	15.2	100
1/2	22	25.4	11	24.3	
5/8	27	31.2	13	42.3	
3/4	32	36.9	16	7.8	
7/8	36	41.6	18	98.7	
1	41	47.3	20	139	
1 1/8	46	53.1	22	196	
1 1/4	50	57.7	25	259	
1 3/8	55	63.5	28	354	50
1 1/2	60	69.3	30	443	
1 5/8	65	75.0	32	560	50
1 3/4	70	80.8	35	709	
1 7/8	75	86.5	38	889	
2	80	92.4	40	1060	