

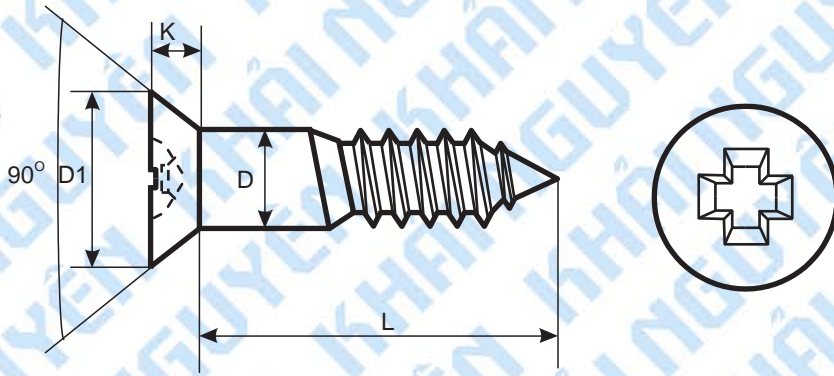


KHAI NGUYEN

KẾT NỐI VỮNG BỀN

DIN 7997

**WOOD SCREW WITH CROSS
RECESSED FLAT HEAD**



GAUGE No	16	18	19	20	21	22	23
D mm ±	2.5	3	3.5	4	4.5	5	6
D1	4.7	5.6	6.5	7.5	8.3	9.2	11
K	1.5	1.65	1.93	2.2	2.35	2.5	3
L mm	Weights in kg per 1000 pieces						
10	0.37	0.60	0.79				
12	0.43	0.70	0.91	1.18			
16	0.55	0.88	1.17	1.49	1.85	2.31	
20	0.67	1.06	1.43	1.79	2.22	2.78	4.12
25		1.30	1.73	2.17	2.71	3.37	4.96
30		1.54	2.04	2.55	3.19	4.00	5.80
35		1.77	2.35	2.94	3.68	4.55	6.63
40		2.01	2.66	3.32	4.17	5.14	7.46
45			2.98	3.66	4.65	5.73	8.29
50				4.05	5.14	6.32	9.12
60				4.81	6.11	7.54	10.8
70						8.72	12.5