

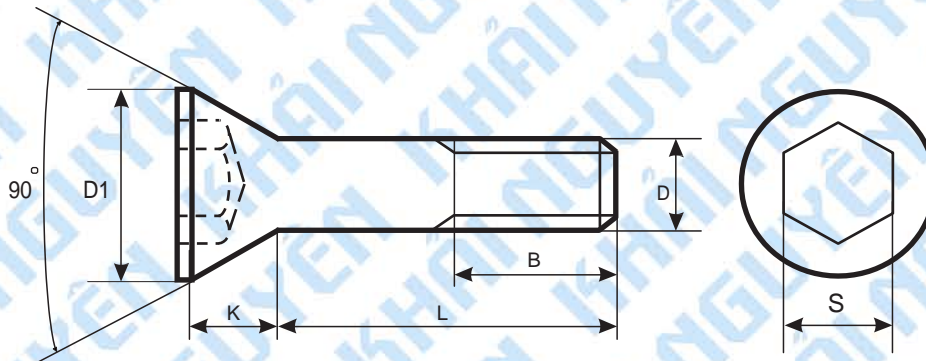


**KHAI NGUYEN**

KẾT NỐI VỮNG BỀN

**DIN 7991**

**HEAGON SOCKET SCREW WITH  
COUNTERSUNK HEAD**



D	3	4	5	6	8	10	12	14	16	20	24
D1	6	8	10	12	16	4	24	27	30	36	39
K	1.7	2.3	2.8	3.3	4.4	6.5	6.5	7	7.5	8.5	14
S	2	2.5	3	4	5	8	8	10	10	12	14
B	X	FULLY THREADED									
	Y	12	14	16	18	22	26	30	34	38	46
L mm	Weights in kg per 1000 pieces										
6	0.47										
8	0.50	0.92	1.60	2.35							
10	0.56	1.07	1.85	2.70	5.47						
12	0.65	1.23	2.10	3.05	6.10	10.01					
16	0.83	1.53	.59	3.76	7.35	12.1					
20	1.00	1.84	3.09	4.46	8.60	14.1	21.2				
25	35	2.23	3.71	5.34	10.2	16.6	24.8				
30	1.63	2.90	4.33	6.22	11.7	19.1	28.5		51.8		
35		3.40	5.43	7.10	13.3	21.6	32.1		58.4	91.4	
40		3.90	6.20	8.83	14.8	24.1	35.7		65.1	102	
45			6.97	10.56	16.3	26.6	39.3		71.6	1.6	
50			7.74	11.0	19.9	30.1	43.0		78.4	123	179
55				11.44	23.5	3.6	6.7		85.0	133.4	194
60				11.88	27.1	35.7	54.0		91.7	143	209
70					34.3	41.2	62.9		111	164	39
80					41.4	46.7	71.8		127	200	269
90						52.2	80.7		143	26	299
100						57.7	89.6		159	253	365
110							8.5		175	279	431
120							107.4		191	305	497