

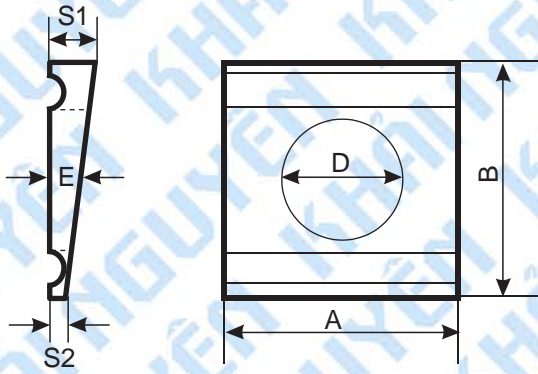


KHAI NGUYEN

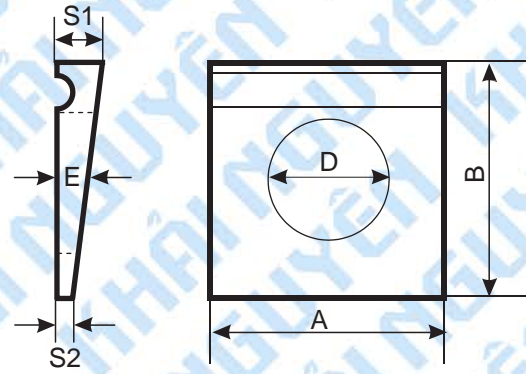
KẾT NỐI VỮNG BỀN

DIN 434 - 435

SQUARE BEVEL WASHER



**Taper 8%
DIN434 for U section
with 2 slots**



**Taper 14%
DIN435 for I section
with 1 slots**

FOR SCREW Ø	D	A	B	DIN 434			DIN 435			WEIGHT IN KG PER 1000 PIECES		PACK
				S1	E	S2	S1	E	S2	DIN 434	DIN 435	
8	9	22	22	3.8	2.9	2	4.6	3.05	1.5	9.5	10.1	100
10	11	22	22	3.8	2.9	2	4.6	3.05	1.5	8.8	9.4	
12	14	26	30	4.9	3.7	2.5	6.2	4.1	2	18.3	20.1	
16	18	32	36	5.9	4.45	3	7.5	5	2.5	31.4	35.6	
20	22	40	44	7	5.25	3.5	9.2	6.1	3	57	67	50
22	24	44	50	8	6	4	10	6.5	3	82.5	90	
24	26	56	56	8.5	6.25	4	10.8	6.9	3	128	143	
27	30	56	56	8.5	6.25	4	10.8	6.9	3	119	143	