

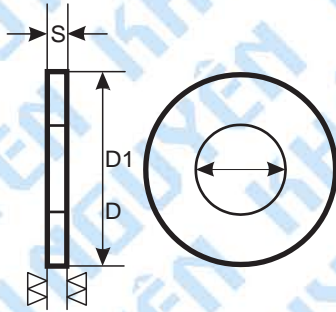


KHAI NGUYEN

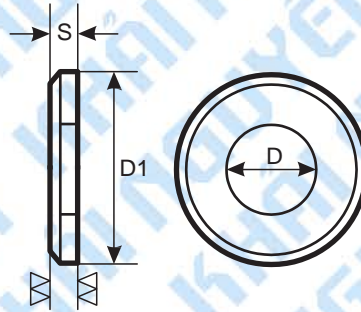
KẾT NỐI VỮNG BỀN

DIN 125

WASHER FLAT



TYPE A
STRAIGHT



TYPE B
CHAMFERED

FOR SCREW Ø	D	D1	S	WEIGHT IN KG PER 1000 PIECES	PACK
M3	3.2	7	0.5	0.12	1000
M4	4.3	9	0.8	1.30	
M5	5.3	10	1	0.44	
M6	6.4	12.5	1.6	1.14	500
M7	7.4	14	1.6	1.39	
M8	8.4	17	1.6	2.14	
M10	10.5	21	2	4.08	200
M12	13	24	2.5	6.27	
M14	15	28	2.5	8.60	
M16	17	30	3	11.3	100
M18	19	34	3	14.7	
M20	21	37	3	17.2	
M22	23	39	3	18.4	53
M24	25	44	4	32.3	
M27	28	50	4	42.8	
M30	31	56	4	53.6	25
M33	34	60	5	75.4	
M36	37	66	5	92	
M39	40	72	6	133	25
M42	43	78	7	183	
M45	46	85	7	220	
M45	50	92	8	294	25
M52	54	98	8	330	
M56	58	105	9	425	
M58	60	110	9	471	25
M64	65	115	9	492	
M72	74	125	10	625	